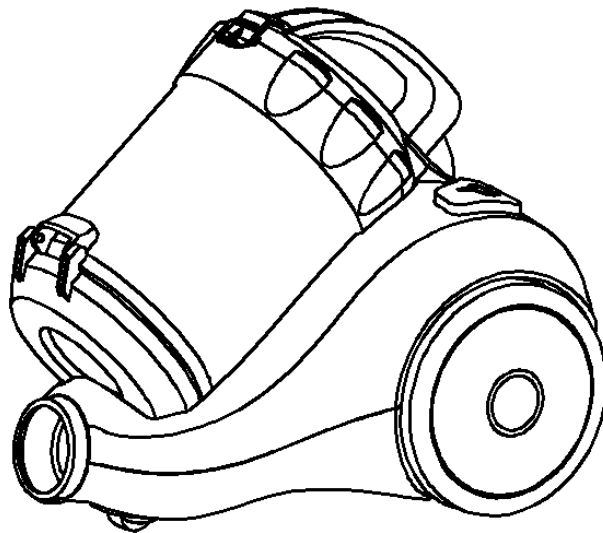


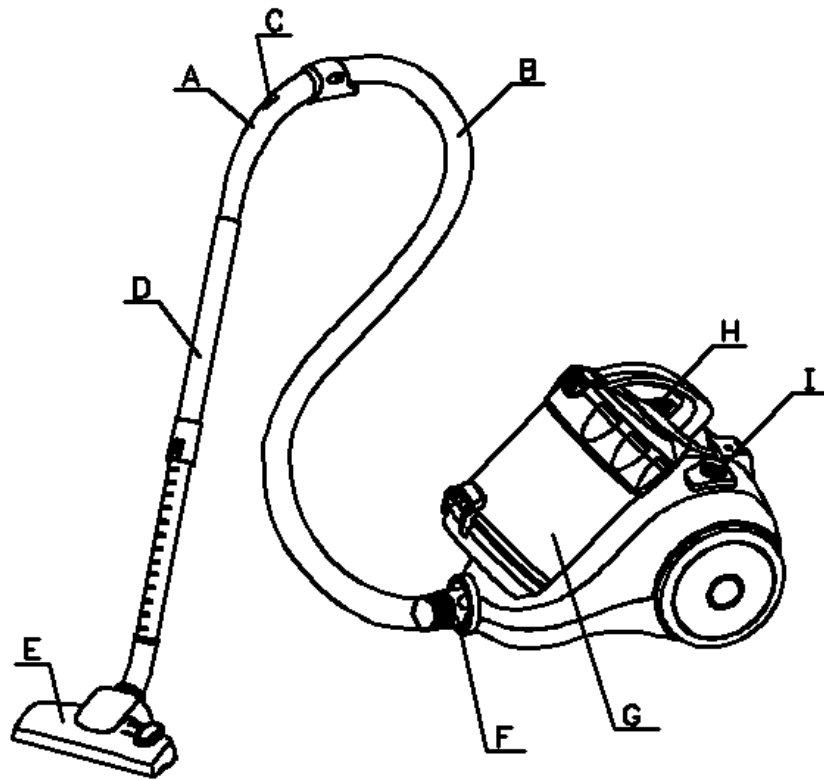


VACUUM CLEANER INSTRUCTION MANUAL



Product code: 360218

Model	Voltage(V)	Frequency(Hz)	Power(W)	Acoustic Noise(dB)
360218	220-240	50	1000	72



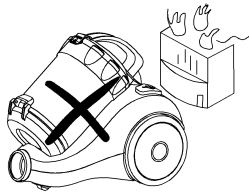
DESCRIPTION

- A. Handle
- B. Hose
- C. Wind-force adjuster
- D. Tube
- E. Floor brush
- F. Hose connector
- G. Dustbin
- H. Cable rewind button
- I. Power switch

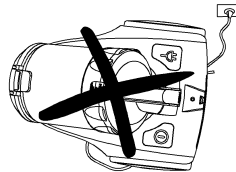
IMPORTANT

- . Read this instruction booklet carefully.
- . Before using the appliance, check that the mains power voltage corresponds to the voltage shown on the rating plate.
- . The appliance should be connected to a correctly-earthed 10 power socket.
- . Always remove the plug from the power socket when the appliance is not in use and before carrying out any cleaning or maintenance operations.
- . Always remove the plug from the power socket before opening the appliance.
- . Never use methylated spirits or other solvents to clean the appliance.
- . Do not use the appliance to vacuum liquids.
- . Never leave the appliance unattended when it is switched on. Keep the appliance out of the reach of children or the infirm.
- . This appliance is for domestic use only. Use as described in this instruction booklet.
- . Do not switch the appliance on if it appears to be faulty in any way.
- . For repairs or accessories. Contact your dealer or an authorized Service Center.
- . If the supply cord is damaged, it must be replaced by the manufacturer or its service agent or a similarly qualified person in order to avoid a hazard.

Do not remove the plug by pulling appliance itself



Do not run the appliance over the power cable



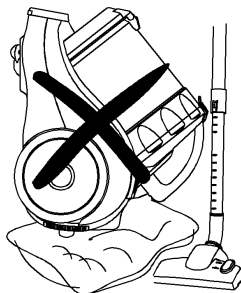
Do not use the appliance to vacuum lit matches, cigarette ends or hot ash.



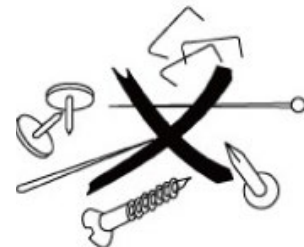
Do not use the appliance on wet surfaces.



Do not obstruct the air intake or outlet vent.



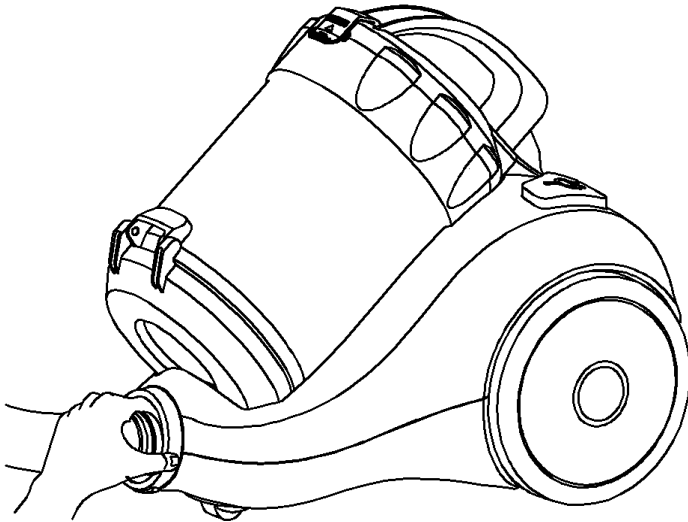
Do not use the appliance to vacuum needles pins or string.



ASSEMBLING THE VACUUM CLEANER

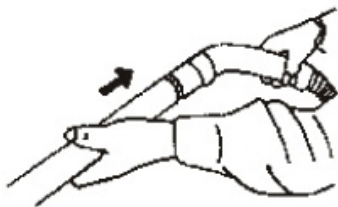
Removing the flexible tube

Remove the plug from the power socket. Press the button on the end of the tube and pull the tube firmly from the air intake duct.

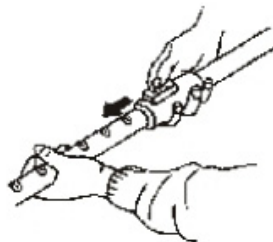


Fitting the extension tubes and accessories

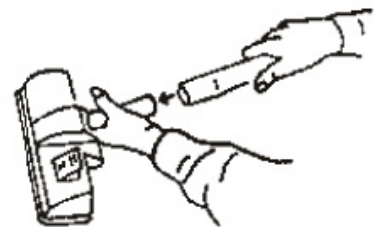
Fitting the extension tube handle



Fitting the extension tubes



Fitting the accessories to the extension tube

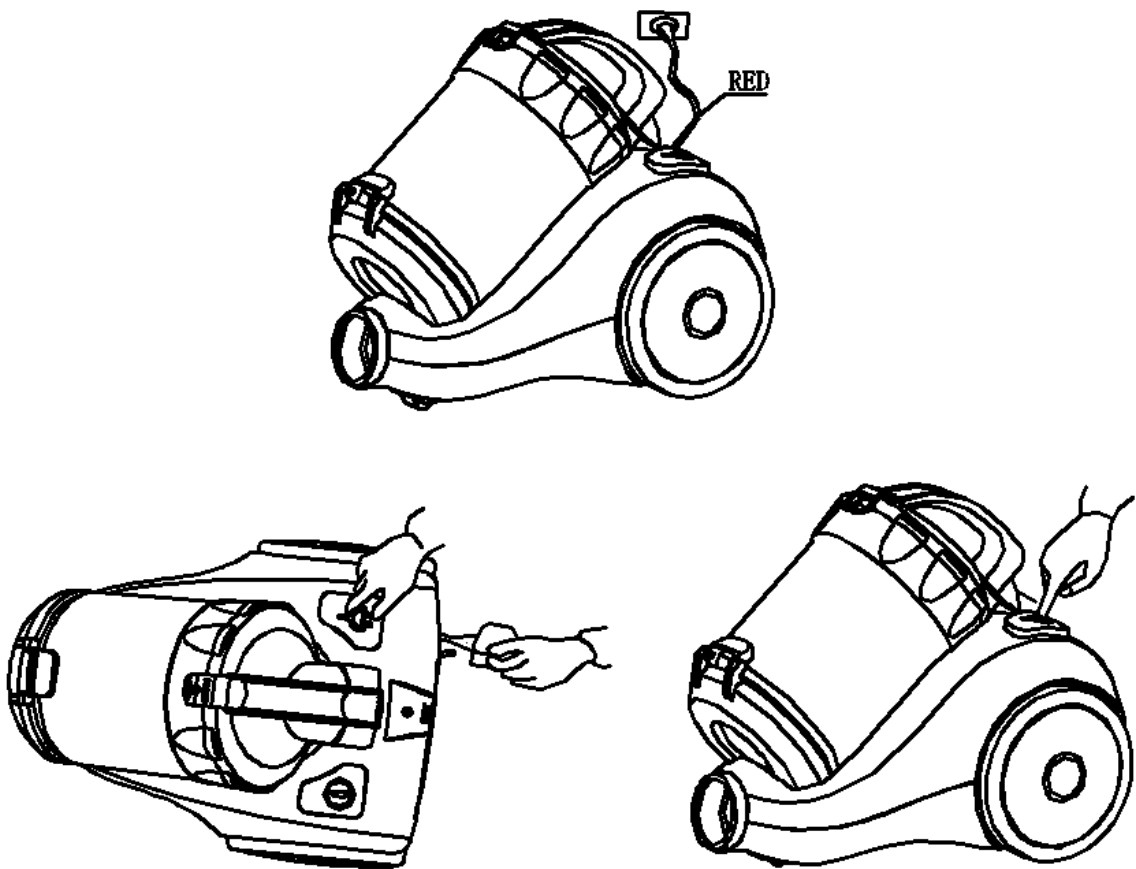


INSTRUCTION FOR USE

1. Before using the appliance, unwind length of cable and insert the plug into the power socket. Do not extend the cable beyond the RED mark.

To rewind the power cable, press the rewind button with one hand, and guide the other hand to ensure that it does not whip out causing damage

2. Press the ON/OFF button to switch the appliance on.



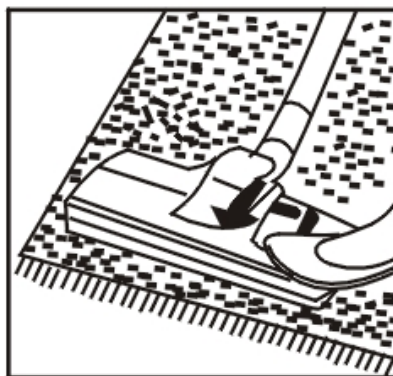
Using the cleaning accessories

Dual-position carpet/floor brush.

Pos. 1: bristles extended for hard floors



Pos. 2: bristles retracted for carpets



Narrow nozzle

for cleaning radiators: corners. edges. drawers etc.



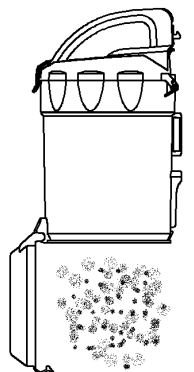
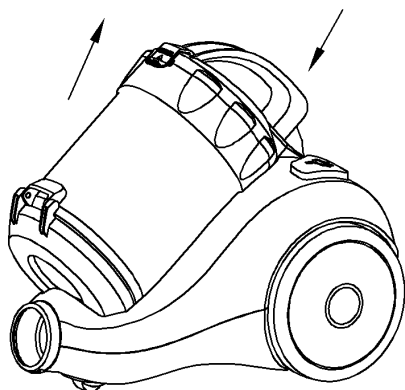
Small brush

for cleaning shelves, books, furniture, lamps and other delicate objects.



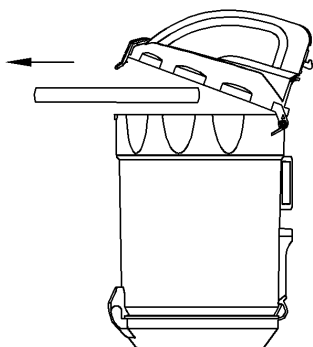
Clean the dust

1. Lift the cover and take out the dust cup.
2. Take out the foam from dust cup.
3. Clean off the dust inside the dust cup.



Clean the foam

1. Take out the foam when dirty.
2. Clean in water, dry it naturally before next use.



Backed by the Nero 1 Year Warranty

Imported by R Weatherdon & Co Pty Ltd

Sydney – Australia

www.weatherdon.com.au

Made in China